



ROWAN TELMAC SEATING

Manufacturers of Passenger Transport Seating



TELFORD 90 WHEELCHAIR TIP-UP SEAT

TELFORD 90

www.rowantelmacseating.co.uk



ROWAN TELMAC SEATING

Manufacturers of Passenger Transport Seating

TELFORD 90 HIGH BACK TIP-UP SEAT

The Telford 90 High Back Tip-Up seat has been developed to meet the current DDA requirements. The seat cushion automatically returns to the stowed position when released to allow wheelchair space. The seat has an extra high padded backrest designed for the comfort and safety of wheelchair users.

The strength of a steel frame gives durability even when used on the most demanding urban bus route.

The Telford 90 is available with a moulded ABS back panel supplied in most standard colours.

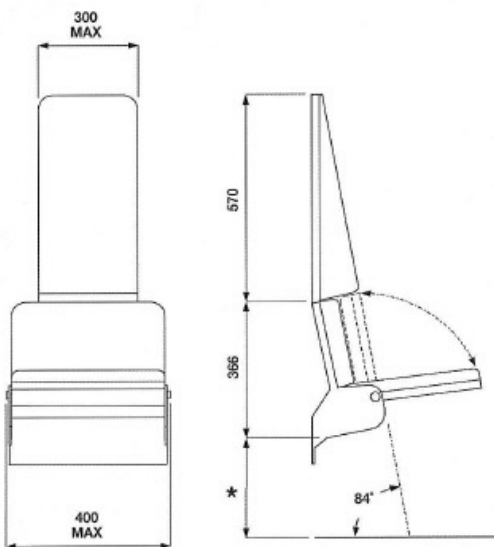
The seat body side fixing points are positioned to suit customers individual vehicle requirements.

Of course as with all the Rowan Telmac seats it's another 'Fit and Forget Seat'.

Options



Moulded anti-vandal mesh cushions and squabs.



* Variable to Customer Specifications

