



**ROWAN
TELMAC
SEATING**

Manufacturers of Passenger Transport Seating



TELFORD 20 URBAN SEAT

TELFORD 20

www.rowantelmacseating.co.uk



ROWAN TELMAC SEATING

Manufacturers of Passenger Transport Seating

TELFORD 20 URBAN SEAT

The Telford 20 is a tough luxury seat designed to provide years of service. Style and comfort are combined with the strength of a steel frame to give durability even when used on the most demanding urban bus route. In fact it's another 'Fit and Forget seat' from our comprehensive range.



The distinctive and stylish grab handle is made from moulded PU and has an internal wire frame to give strength with a comfortable feel. The grab handle can be supplied in almost any colour to match the vehicle trim and a standard down pole clamp can be fitted either vertically or at 12 degrees as shown.

The Telford 20 comes with moulded ABS back panels

available in most standard colours with the option of standard or through backs (as shown).

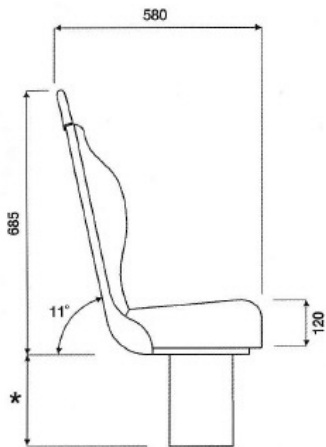
Strong stylish wavy pedestals and body side brackets are manufactured and polyester powder coated in house to suit customer and vehicle requirements.

As with all the Telford range of seating the trim can be removed in seconds to reduce maintenance time enabling the vehicle to be operational for longer periods.

A range of built-in and rear five seats are also produced to match the Telford 20 Contours.

Options

- Moulded anti-vandal mesh cushions and squabs.
- Hip restraint armrest.
- Single seat.
- Two and One seat.
- Cantilever.



* Variable to Customer Specifications

